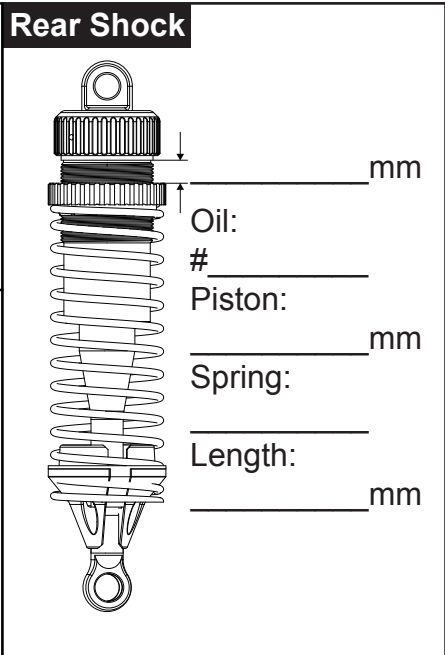
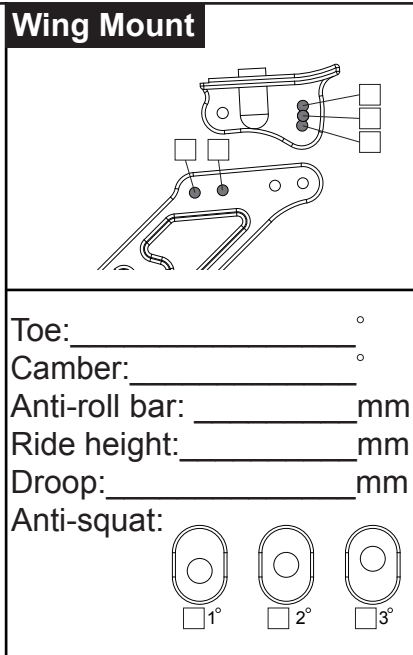
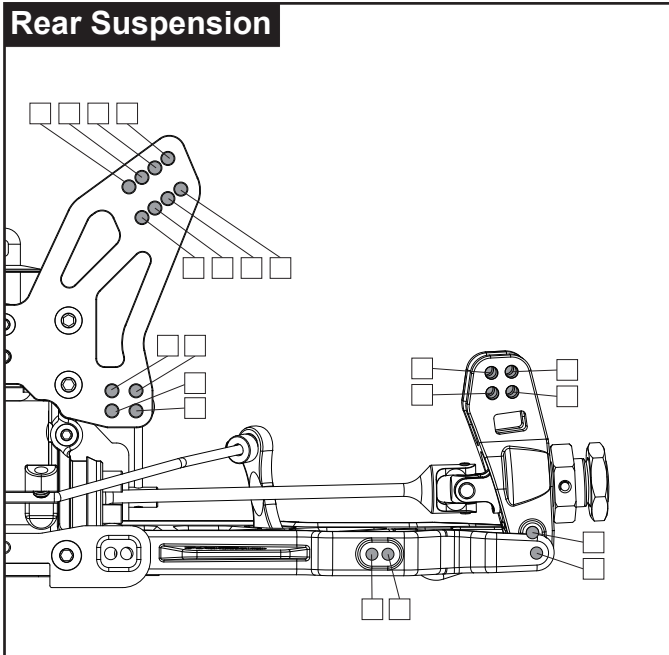
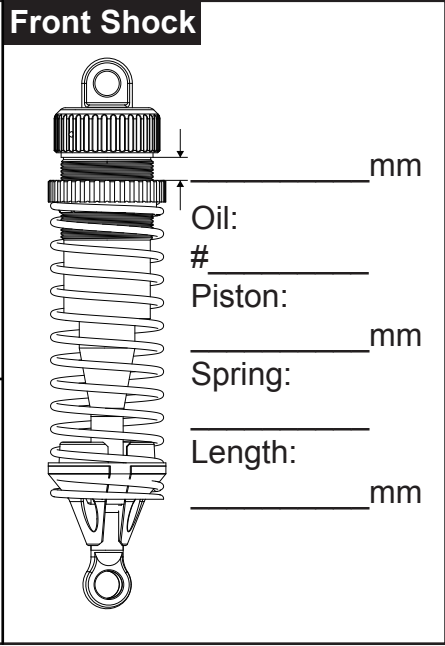
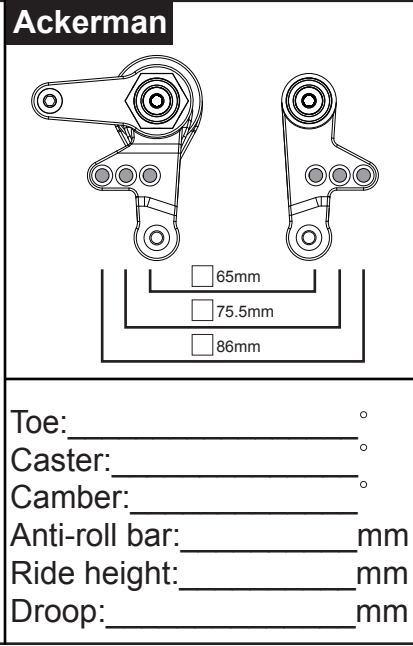
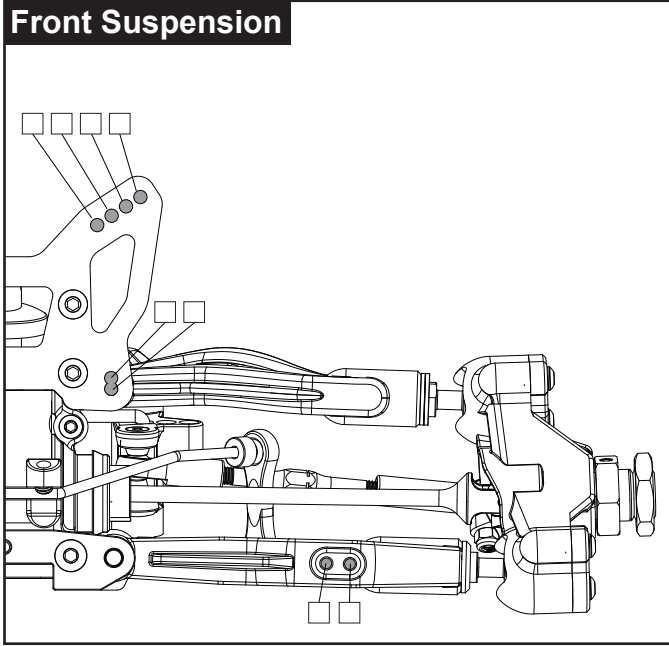


Driver : _____ Track : _____ Event : _____
 Date : _____ Track Condition : _____



Engine

Engine: _____
 Gasket: _____
 Glow plug: _____
 Restrictor: _____
 Fuel: _____
 Muffler: _____

Tires

	Front	Rear
Brand:	_____	_____
Compound:	_____	_____
Insert:	_____	_____
Wheel:	_____	_____

Differentials

Front: # _____ Standard Spider
 Center: # _____ Standard Spider
 Rear: # _____ Standard Spider

Clutch

Clutch shoes: _____
 Clutch spring: _____
 Spur gear: _____
 Pinion gear: _____

Notes

